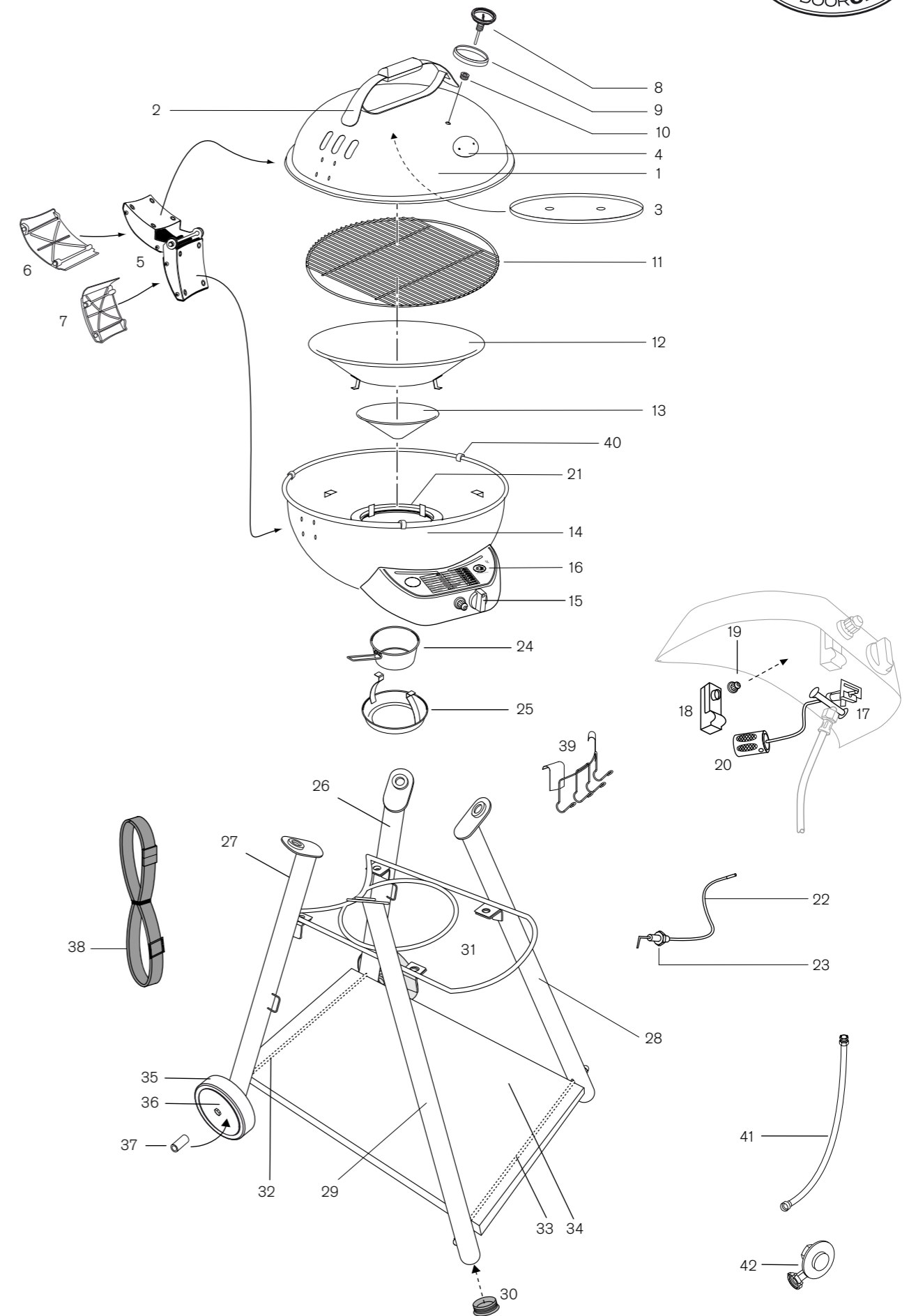


# LEON 570 G

Spare Parts			Ersatzteil-Liste	
Pos.	Art. Nr.	Description	Beschreibung	
1	18.350.70	Lid black 570 LH	Deckel schwarz 570 LH	
1	18.350.72	Lid vanilla 570 LH	Deckel vanille 570 LH	
2	18.322.73	Lid handle titan-silver	Deckelgriff titan-silber	
2	18.322.72	Lid handle black	Deckelgriff schwarz	
3	18.323.00	Heat Shield	Hitzeschild	
4	18.822.49	Logo plate	Logoplatte	
5	18.322.21	Lid hinge titan-silver complete	Deckelscharnier titan-silber komplett	
5	18.322.22	Lid hinge black complete	Deckelscharnier schwarz komplett	
6	18.360.31	Upper lid hinge cover	Deckelscharnier-Abdeckung oben	
7	18.360.32	Lower lid hinge cover	Deckelscharnier-Abdeckung unten	
8	18.850.21	Heat indicator °C/°F	Temperatur Anzeige °C/°F	
9	18.850.14	Frame for heat indicator	Rahmen zu Temperaturanzeiger	
10	18.850.12	Heat indicator-nut	Temperaturanzeiger-Befestigungsmutter	
11	18.320.00	Cooking grid	Grillrost	
12	18.324.08	Large Funnel	Grosser Trichter	
13	18.320.03	Small Funnel	Kleiner Trichter	
14	18.350.86	Bowl black LH SB Ph	Kugel schwarz LH SB Ph	
14	18.350.87	Bowl vanilla LH SB Ph	Kugel vanille LH SB Ph	
15	18.360.20	Control knob	Gasregulier-Knopf	
16	18.323.19	Control panel SB Leon titan-silver	Bedienkonsole SB Leon titan-silber	
16	18.323.20	Control panel SB black	Bedienkonsole SB schwarz	
17	18.340.75	Valve assembly SB with bundy 30mbar	Ventilsatz SB mit bundy 30mbar	
17	18.340.76	Valve assembly SB with bundy 50mbar	Ventilsatz SB mit bundy 50mbar	
18	18.340.07	Pulse ignitor SB complete	Elektro- Zündung SB Komplett	
19	18.360.21	Push button ignitor	Druckknopf Zündung	
20	18.340.57	Venturiprotection	Venturischutz	
21	18.340.68	Burner large 30mbar	Grosser Brenner 30mbar	
21	18.340.67	Burner large 50mbar	Grosser Brenner 50mbar	
22	18.340.12	Ignition wire	Zündungskabel	
23	18.340.11	Piezo electrode large burner	Piezo- Elektrode grosser Brenner	
24	18.323.04	Drip pan	Fettauffangschale	
25	18.323.05	Drip pan carrier	Fettauffangschale Halterung	
26	18.322.58	Leg rear right titan-silver	Bein hinten rechts titan-silber	
26	18.322.59	Leg rear right black	Bein hinten rechts schwarz	
27	18.322.60	Leg rear left titan-silver	Bein hinten links titan-silber	
27	18.322.61	Leg rear left black	Bein hinten links schwarz	
28	18.322.62	Leg front right titan-silver	Bein vorne rechts titan-silber	
28	18.322.63	Leg front right black	Bein vorne rechts schwarz	
29	18.322.64	Leg front left titan-silver	Bein vorne links titan-silber	
29	18.322.65	Leg front left black	Bein vorne links schwarz	
30	18.870.05	End Cap	Abschlusskappe	
31	18.322.66	Supporter titan-silver	Träger titan-silber	
31	18.322.67	Supporter black	Träger schwarz	
32	18.322.92	Axle titan-silver	Radachse titan-silber	
32	18.322.93	Axle black	Radachse schwarz	
33	18.322.70	Fixation bar titan-silver	Fixierachse titan-silber	
33	18.322.71	Fixation bar black	Fixierachse schwarz	
34	18.321.90	Bottom plate black	Bodenplatte schwarz	
35	18.360.38	Wheel	Rad	
36	18.360.47	Wheel cover titan-silver	Radabdeckung titan-silber	
36	18.360.53	Wheel cover black	Radabdeckung schwarz	
37	18.360.44	Liner wheel	Laufbuchse	
38	18.360.11	Bottle fixation strap	Flaschenhalterungs-Gurt	
39	18.320.20	Tool holder	Besteck-Halter	
40	18.360.86	Protection pin	Schutzstift	
	18.378.87	Hardware Set	Schrauben Set	
41	individual	Gas hose	Gasschlauch	
42	individual	Gas regulator	Gasdruckregler	

Outdoorchef AG operates a policy of continuous product development and improvement. As such we reserve the right to alter product design and or technical specification without giving any prior notice.

# LEON 570 G



# LEON 570 G

<b>B</b>			
		<b>Lid</b>	<b>Deckel</b>
Pos.	Art. Nr.	Description	Beschreibung
B1	18.370.90	Protection washer lid handle	Schutz-Unterlagscheibe Deckelgriff
B2	18.370.76	Teflonwasher	U-Scheibe Teflon
B3	18.370.62	Washer	U-Scheibe
B4	18.370.43	Nut	Mutter
B5	18.371.03	Teflonwasher	U-Scheibe Teflon
B6	18.371.02	Washer	U-Scheibe
B7	18.370.48	Nut	Mutter

<b>C</b>			
		<b>Lid Hinge</b>	<b>Deckelscharnier</b>
Pos.	Art. Nr.	Description	Beschreibung
C1	18.332.27	Lid hinge axle	Deckelscharnierachse
C2	18.370.40	Dome Nut	Hutmutter
C3	18.370.63	Washer	U-Scheibe
C4	18.370.76	Teflonwasher	U-Scheibe Teflon
C5	18.370.28	Lid hinge cover screw	Deckelscharnier-Abdeckungsschrauben

<b>D</b>			
		<b>Valve assembly &amp; Panel</b>	<b>Ventilsatz &amp; Konsole</b>
Pos.	Art. Nr.	Description	Beschreibung
D1	18.370.05	Screw	Schraube
D2	18.371.01	Screw	Schraube
D3	18.371.02	Washer	U-Scheibe
D4	18.371.03	Teflonwasher	U-Scheibe Teflon
D5	18.370.86	Teflonwasher	U-Scheibe Teflon
D6	18.371.00	Screw	Schraube

<b>E</b>			
		<b>Bowl</b>	<b>Kugel</b>
Pos.	Art. Nr.	Description	Beschreibung
E1	18.370.10	Screw	Schraube
E2	18.370.62	Washer	U-Scheibe
E3	18.370.76	Teflonwasher	U-Scheibe Teflon
E4	18.370.89	Washer Alu.	U-Scheibe Alu.
E5	18.370.68	Washer	U-Scheibe
E6	18.370.44	Wing nut	Flügelmutter

<b>F</b>			
		<b>Piezo electrode</b>	<b>Piezo-Elektrode</b>
Pos.	Art. Nr.	Description	Beschreibung
F1	18.371.01	Screw	Schraube
F2	18.371.02	Washer	U-Scheibe
F3	18.371.03	Teflonwasher	U-Scheibe Teflon
F4	18.371.04	Spring washer	Federring
F5	18.370.48	Nut	Mutter
F6	18.371.11	Holder piezo electrode	Halterung Piezo Elektrode

### Attention

Please write your serial number on the backside of the manual for future reference. You will find the number on the data plate attached to the trolley or the bottom plate depending on the grill model. OUTDOORCHEF can only supply spare parts and honour warranty returns when the serial number is available.

### Achtung

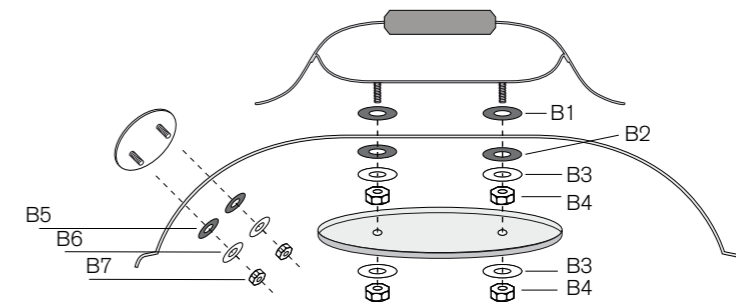
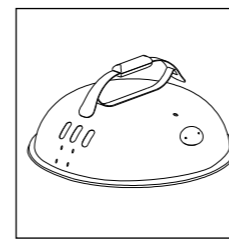
Bitte notieren Sie auf der Rückseite Ihrer Gebrauchsanweisung die Serien-Nummer. Je nach Grillmodell finden Sie die Nummer auf dem Datensticker, welcher sich entweder am Grillgestell oder auf der Bodenplatte befindet. OUTDOORCHEF kann Garantie und Ersatzteillieferungen nur mit der Serien-Nummer bearbeiten.

**Outdoorchef AG** operates a policy of continuous product development and improvement. As such we reserve the right to alter product design and or technical specification without giving any prior notice.

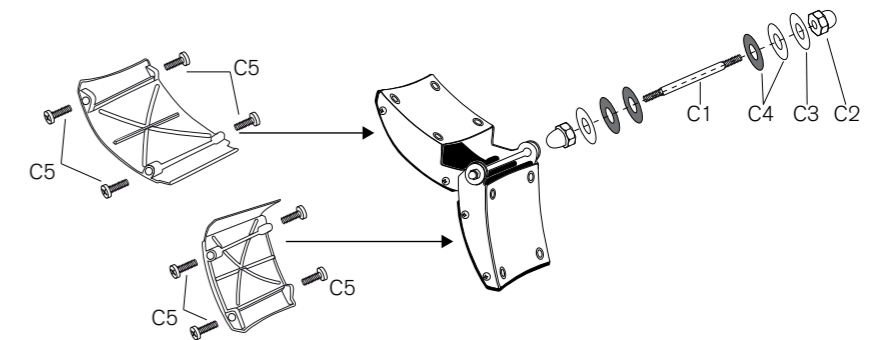
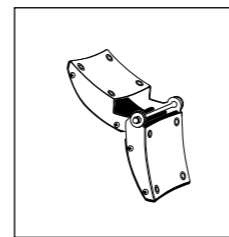
# LEON 570 G



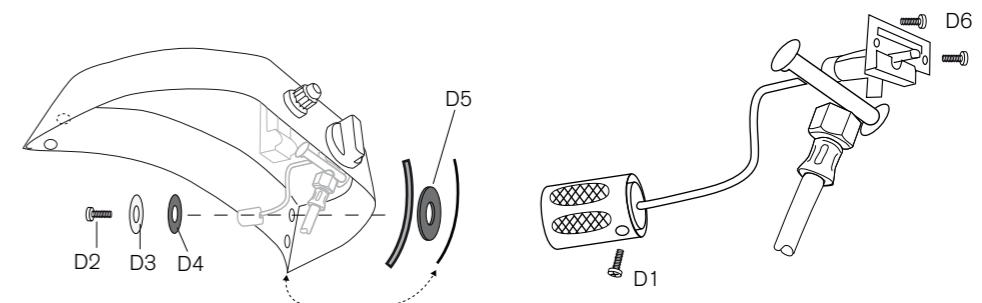
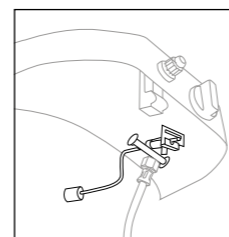
**B**



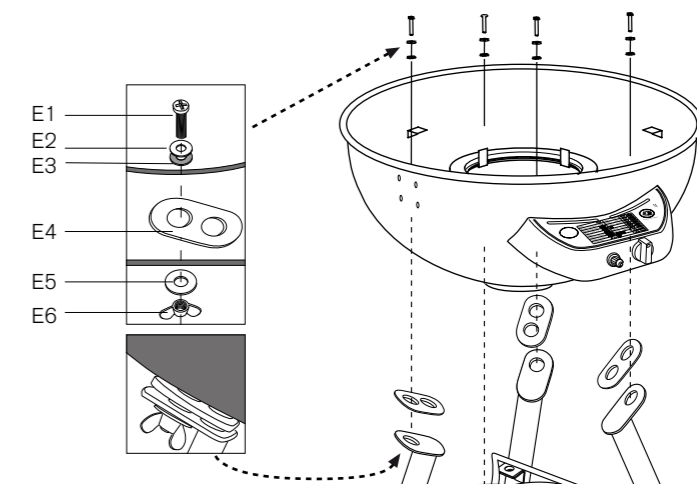
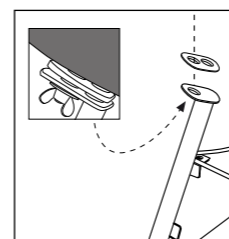
**C**



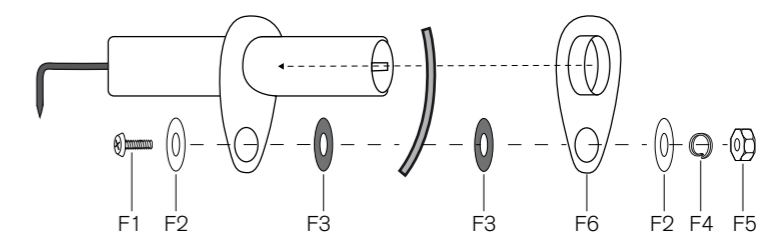
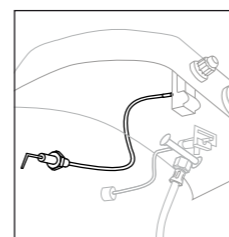
**D**

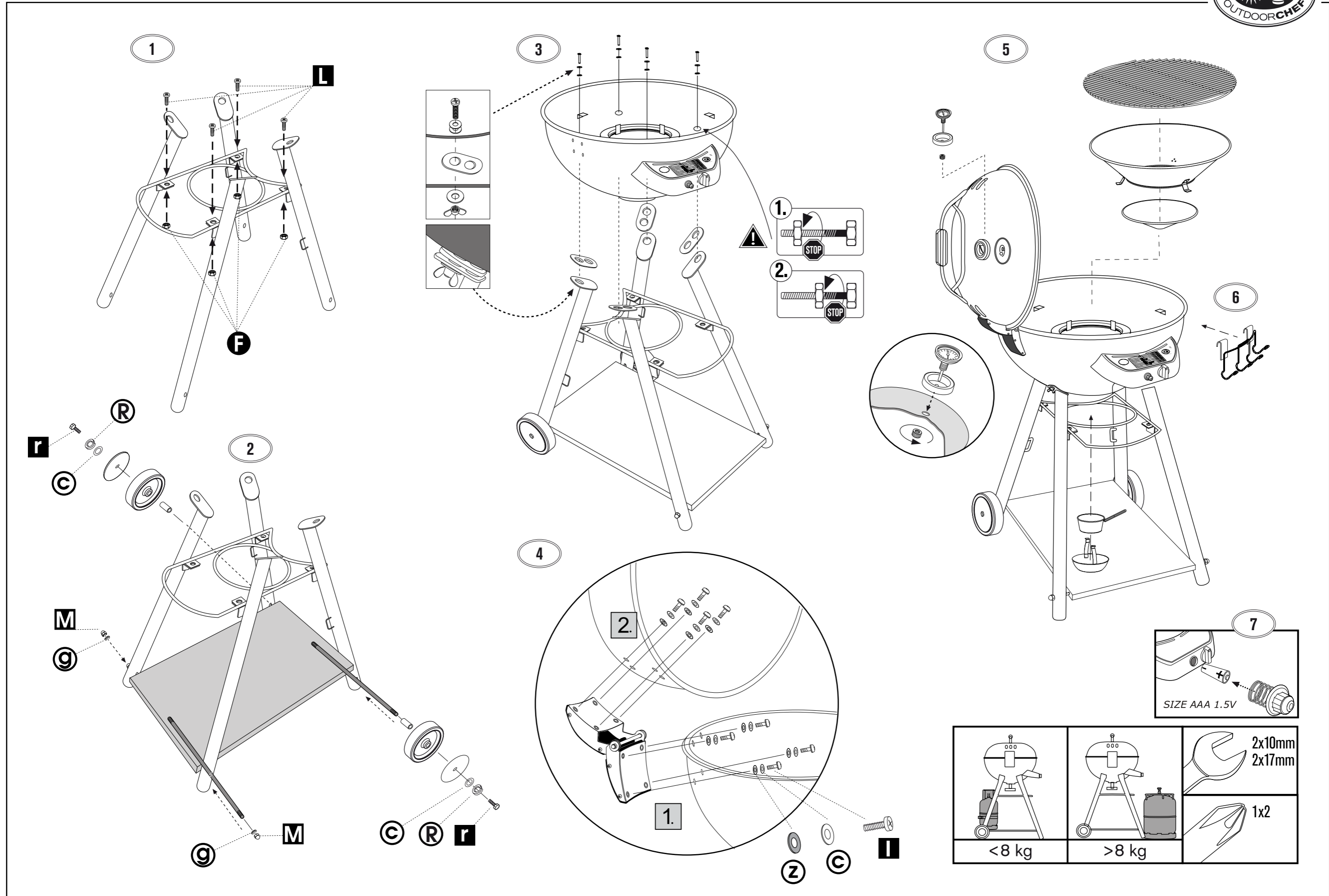


**E**



**F**





			2x10mm 2x17mm
<8 kg	>8 kg		1x2



18.378.87

8x **I** (18.370.25)

10x **C** (18.370.62)

4x **L** (18.370.06)

2x **g** (18.370.66)

2x **r** (18.370.30)

2x **R** (18.371.06)

4x **F** (18.370.43)

8x **Z** (18.370.76)

2x **M** (18.370.46)

to take notes

Lined area for taking notes.