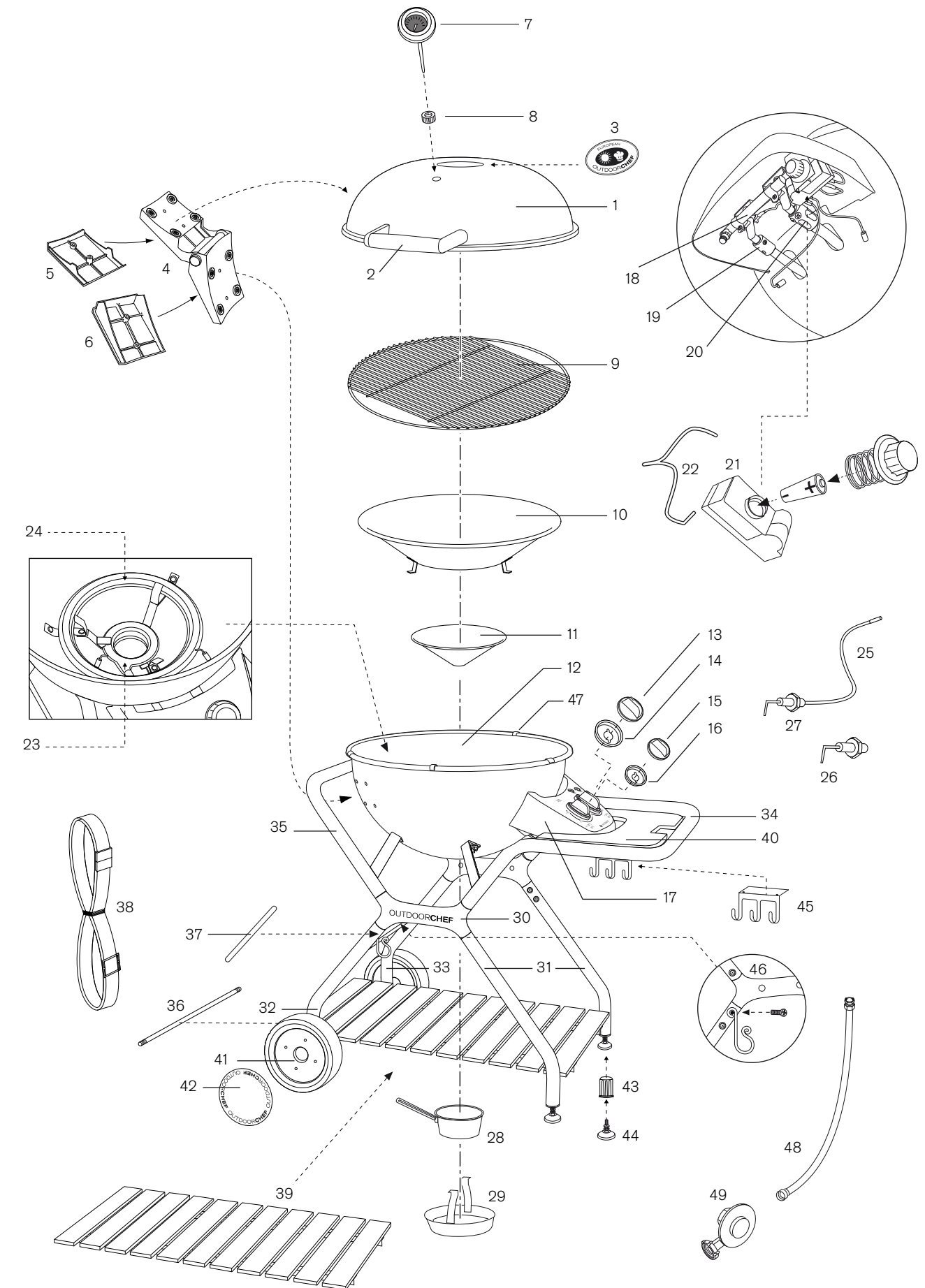


ASCONA 570 G

Spare Parts			Ersatzteil-Liste		
Pos.	Art. Nr.	Description	Pos.	Art. Nr.	Beschreibung
1	18.350.91	Lid black 570 LH	1	18.350.91	Deckel schwarz 570 LH
1	18.350.93	Lid dark grey 570 LH	1	18.350.93	Deckel dunkelgrau 570 LH
2	18.323.55	Lid handle pearl titan	2	18.323.55	Deckelgriff perl titan
2	18.323.76	Lid handle black	2	18.323.76	Deckelgriff schwarz
3	18.822.50	Logo	3	18.822.50	Logo
4	18.323.69	Lid hinge complete	4	18.323.69	Deckelscharnier komplett
5	18.360.63	Upper lid hinge cover	5	18.360.63	Deckelscharnier-Abdeckung oben
6	18.360.64	Lower lid hinge cover	6	18.360.64	Deckelscharnier-Abdeckung unten
7	18.850.23	Heat indicator °C/°F	7	18.850.23	Temperatur Anzeige °C/°F
8	18.850.22	Heat indicator-nut	8	18.850.22	Temperaturanzeiger-Befestigungsmutter
9	18.320.00	Cooking grid	9	18.320.00	Grillrost
10	18.324.08	Large Funnel	10	18.324.08	Grosser Trichter
11	18.320.03	Small Funnel	11	18.320.03	Kleiner Trichter
12	18.350.90	Bowl LH DB Pt black	12	18.350.90	Kugel LH DB Pt schwarz
12	18.350.92	Bowl LH DB Pt dark grey	12	18.350.92	Kugel LH DB Pt dunkelgrau
13	18.360.65	Control knob large burner	13	18.360.65	Gasregulier-Knopf grosser Brenner
14	18.360.60	Frame for control knob large burner	14	18.360.60	Rahmen zu Gasregulier-Knopf grosser Brenner
15	18.360.66	Control knob small burner	15	18.360.66	Gasregulier-Knopf kleiner Brenner
16	18.360.61	Frame for control knob small burner	16	18.360.61	Rahmen zu Gasregulier-Knopf kleiner Brenner
17	18.323.70	Control panel ASCONA pearl titan	17	18.323.70	Bedienungskonsole ASCONA perl titan
17	18.323.71	Control panel ASCONA black	17	18.323.71	Bedienungskonsole ASCONA schwarz
18	18.340.77	Valve assembly direct DB 30mbar	18	18.340.77	Ventilsatz direkt DB 30mbar
18	18.340.78	Valve assembly direct DB 50mbar	18	18.340.78	Ventilsatz direkt DB 50mbar
19	18.340.58	Venturiprotection DB small	19	18.340.58	Venturischutz DB klein
20	18.340.57	Venturiprotection DB & SB	20	18.340.57	Venturischutz DB & SB
21	18.340.87	Pulse ignitor DB	21	18.340.87	Elektro-Zündung DB
22	18.340.91	Ignition wire distributor	22	18.340.91	Zündungskabel Verteiler
23	18.340.02	Burner small 30mbar	23	18.340.02	Brenner klein 30mbar
23	18.340.45	Burner small 50mbar	23	18.340.45	Brenner klein 50mbar
24	18.340.68	Burner large 30mbar	24	18.340.68	Grosser Brenner 30mbar
24	18.340.67	Burner large 50mbar	24	18.340.67	Grosser Brenner 50mbar
25	18.340.12	Ignition wire burner	25	18.340.12	Zündungskabel Brenner
26	18.340.11	Piezo electrode large burner	26	18.340.11	Piezo-Elektrode grosser Brenner
27	18.340.10	Piezo electrode small burner	27	18.340.10	Piezo-Elektrode kleiner Brenner
28	18.323.04	Drip pan	28	18.323.04	Fettauffangschale
29	18.323.05	Drip pan carrier	29	18.323.05	Fettauffangschale Halterung
30	18.323.59	X-Module pearl titan	30	18.323.59	X-Modul perl titan
30	18.323.72	X-Module black	30	18.323.72	X-Modul black
31	18.323.60	Stand-Module pearl titan	31	18.323.60	Stand-Modul perl titan
31	18.323.73	Stand-Module black	31	18.323.73	Stand-Modul schwarz
32	18.323.62	Wheel-Module left pearl titan	32	18.323.62	Rad-Modul links perl titan
32	18.323.77	Wheel-Module left black	32	18.323.77	Rad-Modul links schwarz
33	18.323.63	Wheel-Module right pearl titan	33	18.323.63	Rad-Modul rechts perl titan
33	18.323.80	Wheel-Module right black	33	18.323.80	Rad-Modul rechts schwarz
34	18.323.78	Table-Module pearl titan	34	18.323.78	Tablar-Modul perl titan
34	18.323.79	Table-Module black	34	18.323.79	Tablar-Modul schwarz
35	18.323.74	Connection-Module pearl titan	35	18.323.74	Verbindungs-Modul perl titan
35	18.323.75	Connection-Module black	35	18.323.75	Verbindungs-Modul schwarz
36	18.323.64	Axle pearl titan	36	18.323.64	Radachse perl titan
36	18.323.81	Axle black	36	18.323.81	Radachse schwarz
37	18.323.65	Bottle fixation bar pearl titan	37	18.323.65	Flaschenhalterungsstrebe perl titan
37	18.323.82	Bottle fixation bar black	37	18.323.82	Flaschenhalterungsstrebe schwarz
38	18.360.11	Bottle fixation strap	38	18.360.11	Flaschenhalterungs-Gurt
39	18.310.27	Bottom shelf black wood	39	18.310.27	Bodenrost Holz schwarz
40	18.310.33	Front table black	40	18.310.33	Fronttablar schwarz
41	18.360.56	Wheel	41	18.360.56	Rad
42	18.360.57	Wheel cover	42	18.360.57	Radabdeckung
43	18.360.59	Thread insert grey	43	18.360.59	Gewindeinsatz grau
43	18.360.58	Thread insert black	43	18.360.58	Gewindeinsatz schwarz
44	18.360.37	Height adjustment	44	18.360.37	Höhenverstellung
45	18.323.83	Tool holder pearl titan	45	18.323.83	Besteck-Halter perl titan
45	18.323.84	Tool holder black	45	18.323.84	Besteck-Halter schwarz
46	18.370.75	Gas hose Hook	46	18.370.75	Gasschlauch-Haken
47	18.360.86	Protection pin	47	18.360.86	Schutzstift
	18.379.20	Hardware Set		18.379.20	Schrauben Set
48	individual	Gas hose	48	individual	Gasschlauch
49	individual	Gas regulator	49	individual	Gasdruckregler

Outdoorchef AG operates a policy of continuous product development and improvement. As such we reserve the right to alter product design and or technical specification without giving any prior notice.

ASCONA 570 G



ASCONA 570 G

B			
Pos.	Art. Nr.	Description	Beschreibung
B1	18.371.26	Protection washer lid handle	Schutz-Unterlagscheibe Deckelgriff
B2	18.371.03	Teflonwasher	U-Scheibe Teflon
B3	18.371.02	Washer	U-Scheibe
B4	18.370.27	Screw	Schraube
B5	18.371.03	Teflonwasher	U-Scheibe Teflon
B6	18.371.02	Washer	U-Scheibe
B7	18.370.48	Nut	Mutter

C			
Pos.	Art. Nr.	Description	Beschreibung
C1	18.370.31	Lid hinge cover screw	Deckelscharnier-Abdeckungsschrauben

D			
Pos.	Art. Nr.	Description	Beschreibung
D1	18.370.05	Screw	Schraube
D2	18.370.27	Screw	Schraube
D3	18.371.01	Screw	Schraube
D4	18.371.02	Washer	U-Scheibe
D5	18.371.03	Teflonwasher	U-Scheibe Teflon
D6	18.371.00	Screw	Schraube

E			
Pos.	Art. Nr.	Description	Beschreibung
E1	18.370.10	Screw	Schraube
E2	18.370.62	Washer	U-Scheibe
E3	18.370.76	Teflonwasher	U-Scheibe Teflon
E4	18.370.91	Protection washer bowl	Schutz-Unterlagscheibe Kugel
E5	18.370.68	Washer	U-Scheibe
E6	18.370.44	Wing nut	Flügelmutter

F			
Pos.	Art. Nr.	Description	Beschreibung
F1	18.371.01	Screw	Schraube
F2	18.371.02	Washer	U-Scheibe
F3	18.371.03	Teflonwasher	U-Scheibe Teflon
F4	18.371.04	Spring washer	Federring
F5	18.370.48	Nut	Mutter
F6	18.371.11	Holder piezo electrode	Halterung Piezo Elektrode

G			
Pos.	Art. Nr.	Description	Beschreibung
G1	18.371.05	Woodscrew	Holzschraube

Attention

Please write your serial number on the backside of the manual for future reference. You will find the number on the data plate attached to the trolley or the bottom plate depending on the grill model. OUTDOORCHEF can only supply spare parts and honour warranty returns when the serial number is available.

Achtung

Bitte notieren Sie auf der Rückseite Ihrer Gebrauchsanweisung die Serien-Nummer. Je nach Grillmodell finden Sie die Nummer auf dem Datensticker, welcher sich entweder am Grillgestell oder auf der Bodenplatte befindet. OUTDOORCHEF kann Garantie und Ersatzteillieferungen nur mit der Serien-Nummer bearbeiten.

ASCONA 570 G

